



**PT-PSE106GW**

## 60W Gigabit PoE Injector

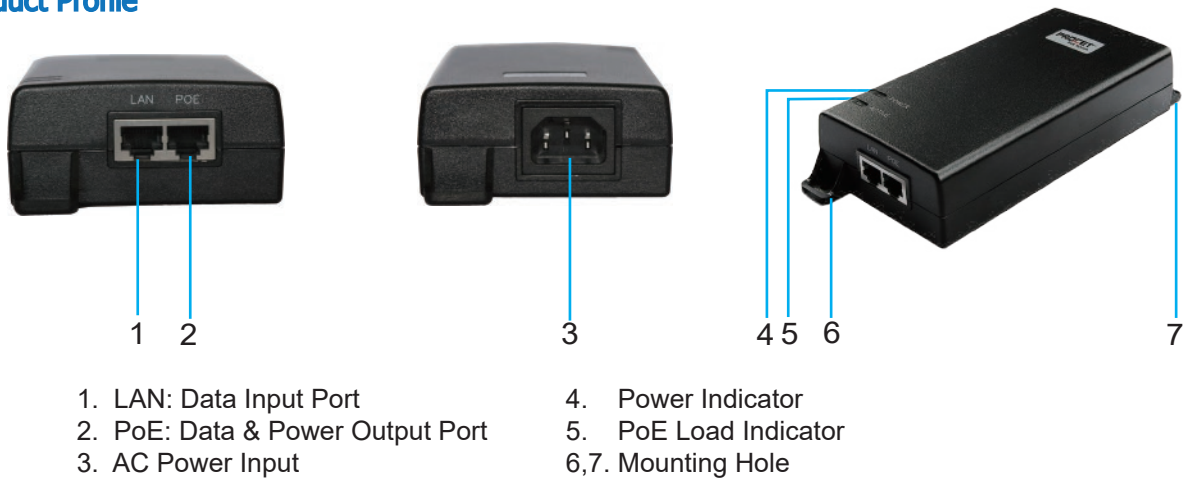
### Product Overview

PT-PSE106GW, it is a single port PoE Injector. It provides 55Vdc, 1.1A power for remote PDs over full 4-pairs output. It supports both 10/100Base-T and Gigabit device. It works for 60W PoE PDs, such as wireless APs, base stations, high power cameras, door control, displays, POS, information kiosks and other high power Ethernet terminals. It is also compatible and safe to use with any IEEE802.3af/at compliant terminals.

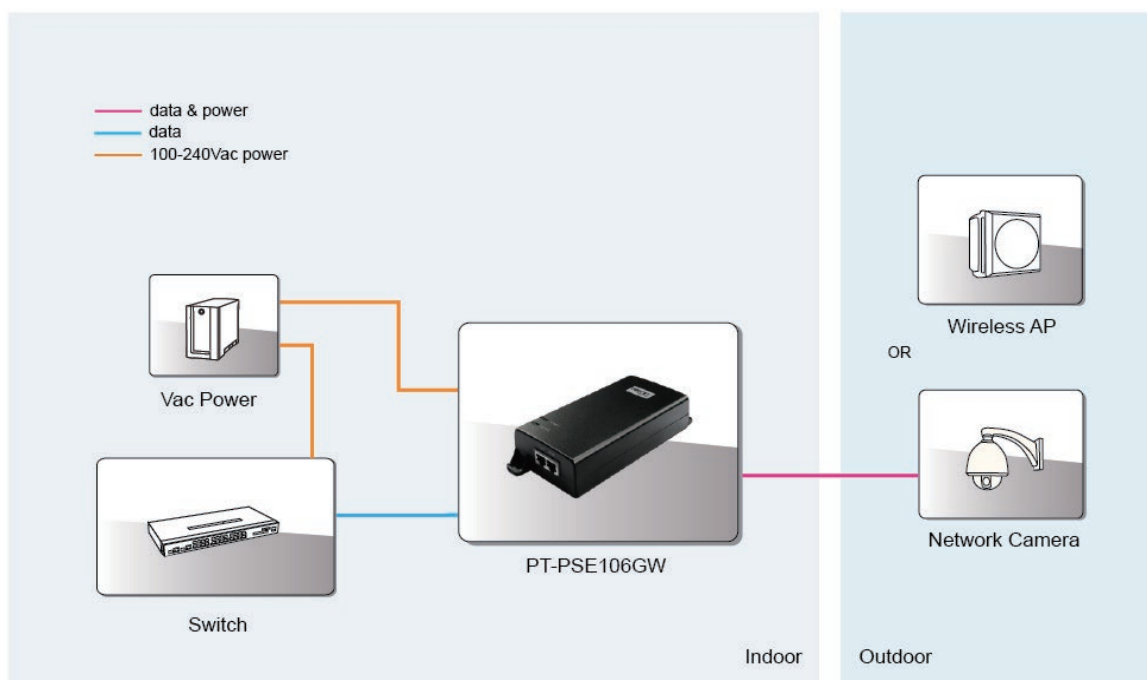
PT-PSE106GW is designed for indoor use. It works with input voltage of 100-240 Vac. It has detection chip inside, which will detect and classify PD before powering it. It will not apply power until a standard-compliant PD is detected. The effective distance is 100 meters over Cat5e/Cat6 cables.



### Product Profile



### Product Working Diagram



## Specification

### Standard

- IEEE802.3 10Base-T Ethernet
- IEEE802.3u 100Base-Tx Fast Ethernet
- IEEE802.3ab 1000Base-T Gigabit Ethernet
- Full compliant with IEEE802.3af/at, PoE++
- RoHS Compliance
- WEEE Compliance

### Input & Output

- Input :100-240Vac 1.5A 50/60Hz
- Output: 55Vdc 1100mA
- Power Pins: 4/5(+), 7/8(-) and 3/6(+), 1/2(-)
- Data Speed: 10/100/1000Mbps

### Working Environment

- Operating Temperature: 0℃ to 40℃
- Operating Humidity: 20% to 80%, non-condensation
- Storage Temperature: -20℃ to 70℃
- Storage Humidity: 10% to 90%, non-condensation
- Operating Altitude: up to 5000meters

### AC Surge Protection

- Line-Earth 1.2/50us (8/20us): 2KV
- Line-Line 1.2/50us (8/20us): 1KV

### Mechanical Characteristics

- Case: Plastic
- Color: Black
- Mounting: Wall-mounted
- IP Rated: IP40
- Size: 193mm X 85mm X 41mm
- Weight: 415g

### Safety Approvals

- cUL/UL
- CE
- SAA
- FCC
- PSE

### EMI

- FCC CFR47 Part 15, EN55032, EN55035

### EMS

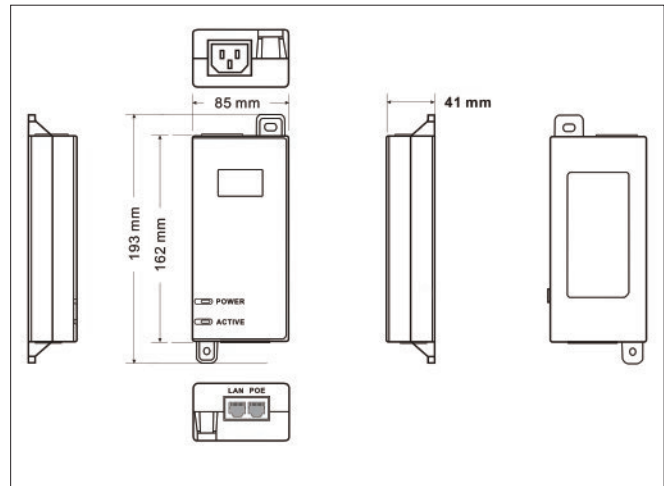
- IEC61000-4-2(ESD) ± 6kV(contact), ±8kV(air)
- IEC61000-4-3(RS) 10V/m(80MHz~2GHz)
- IEC61000-4-4(EFT) Power Port: ±2kV; Data Port:±1kV
- IEC61000-4-5(Surge) Power Port:±1kV/DM, ±2kV/CM
- IEC61000-4-6(CS) 10V(150kHz~80MHz)

### Immunity

- IEC60068-2-6(Vibration)
- IEC60068-2-27(Impact)
- IEC60068-2-32(Free Fall)

### LED Indicator

- Power Indicator : Green
- PoE Load Indicator :  
Green @ ≤ 30W  
Blue @ > 30W ≤ 60W



**Order Info.** PT-PSE106GW 55Vdc/1.1A/1000Mbps/(4,5+,7,8-) and (3,6+,1,2-)/Active

**Packing** PT-PSE106GW  
Power Cord x 1 (Optional)  
Manual x 1



This document belongs to PROCET company. It is not allowed to reproduce and modify without the original author's permission. It is PROCET's policy to improve its products as new technology, components, software, and firmware at any time. PROCET, therefore, reserves the right to change specifications without prior notice. (2018.05)